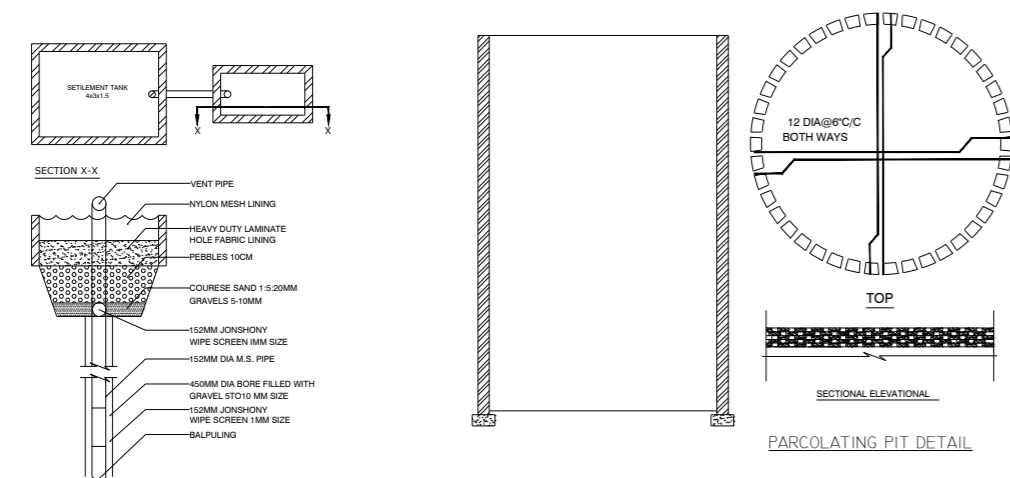
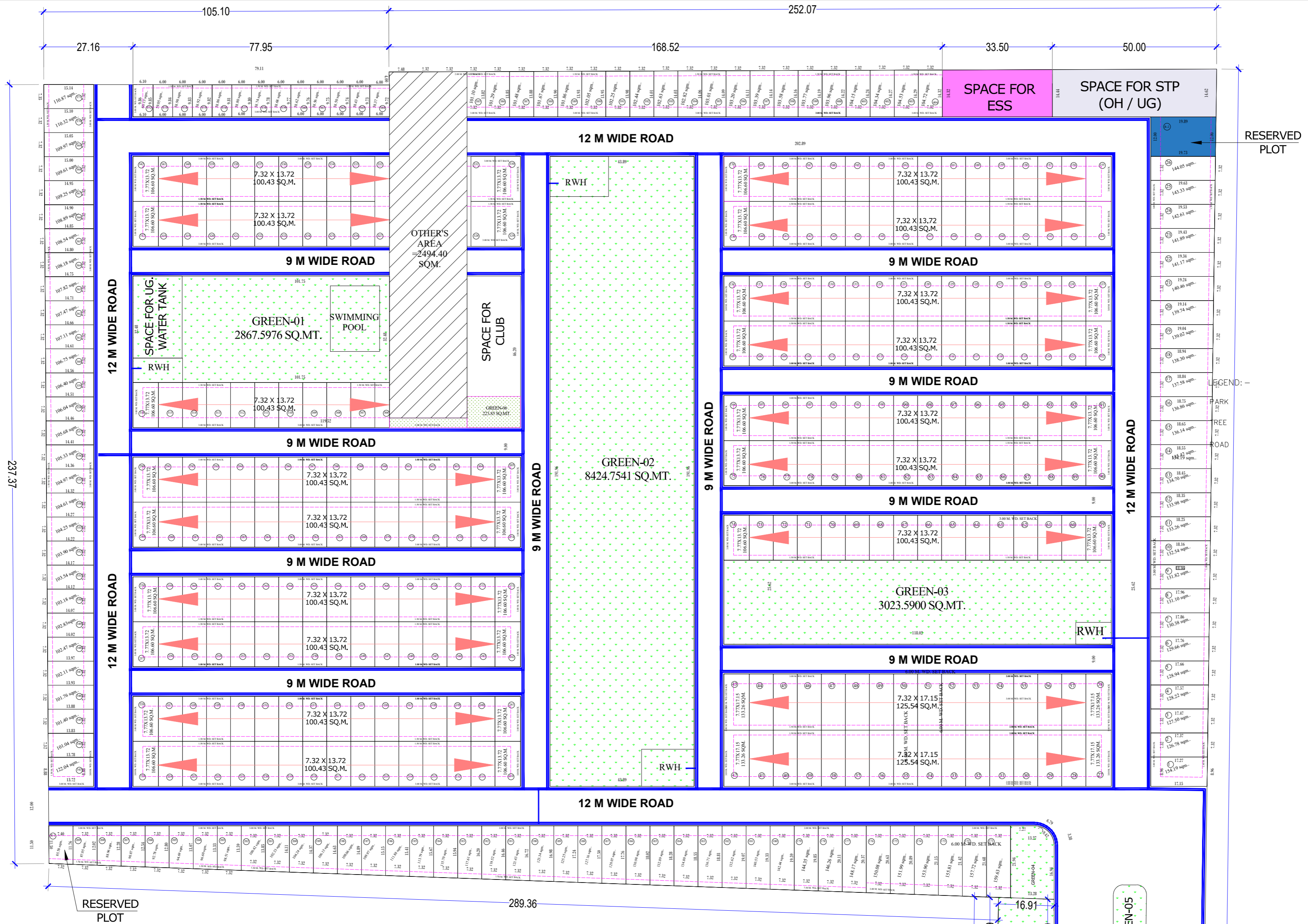
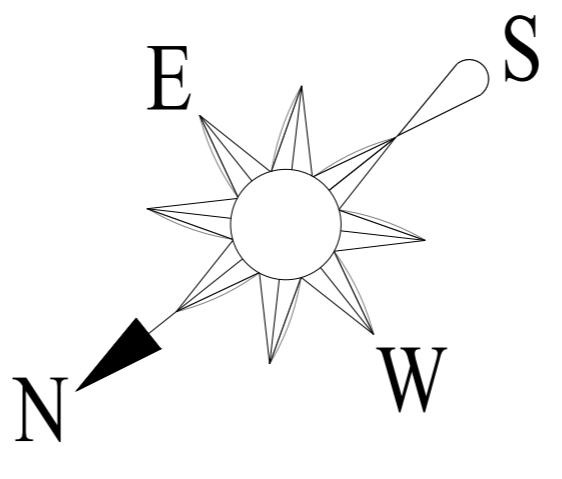
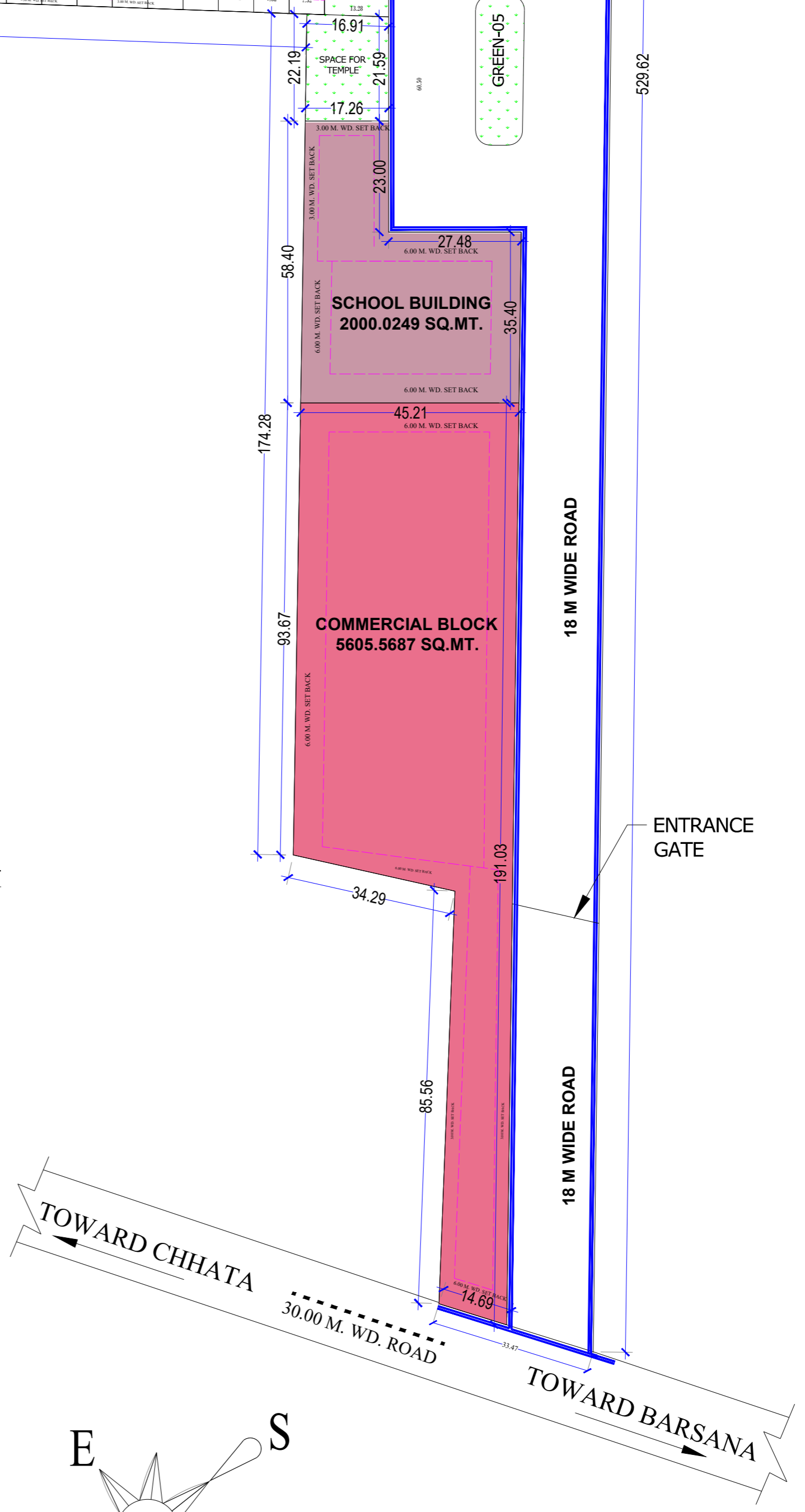


ANANDAM



PLAN OF RAIN WATER HARVESTING

DRAIN FOR RAIN WATER SERVICE PLAN-3



TITLE :-
 PROPOSED SERVICE PLAN FOR ANANDAM COLONY ON KHASRA NO. 315, 325, 327, & 329 SITUATED AT MAUZA AJNAUKH, CHHATA BARSANA ROAD, BARSANA MATHURA

OWNER :-
 KADAMSHREE DEVELOPERS INDIA LLP
 AUTHORISED SIGNATORY- VIVEK KUMAR

Auth. Sign.

CREATIVE ASSOCIATE
 Architect, Engineers & Valuers
 near new bus stand, mathura
 MOBILE 9837042316

Arch/Engg. Sign.

LEGEND:-

SEWER LINE RCC NP-2	
MAIN HOLE	
DRAIN FOR RAIN WATER	
75 MM DIA WATER LINE	
ELECTRIC POLE	
TRANSFORMER	
PARK	
TREE	
ROAD	