

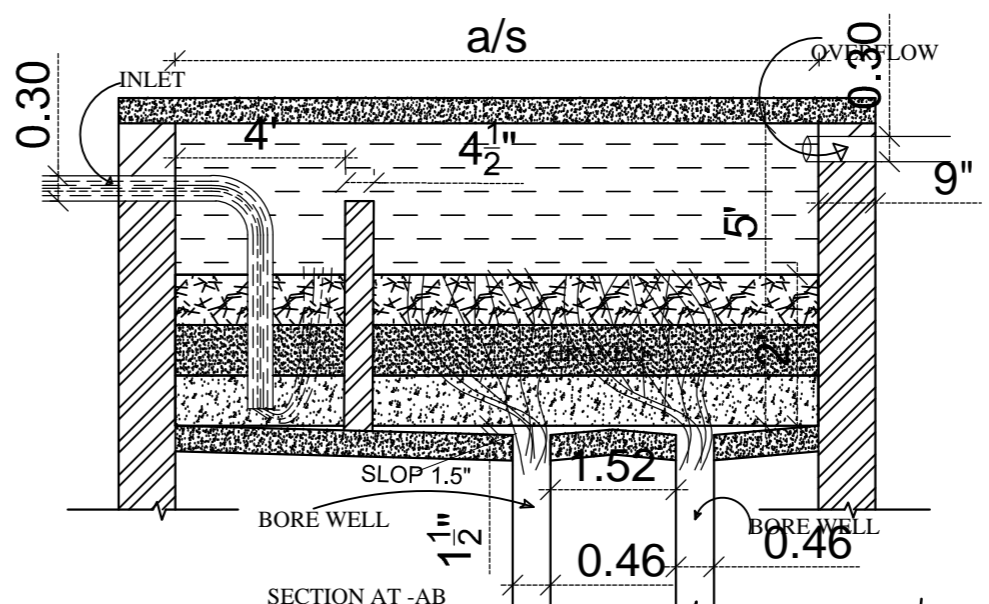
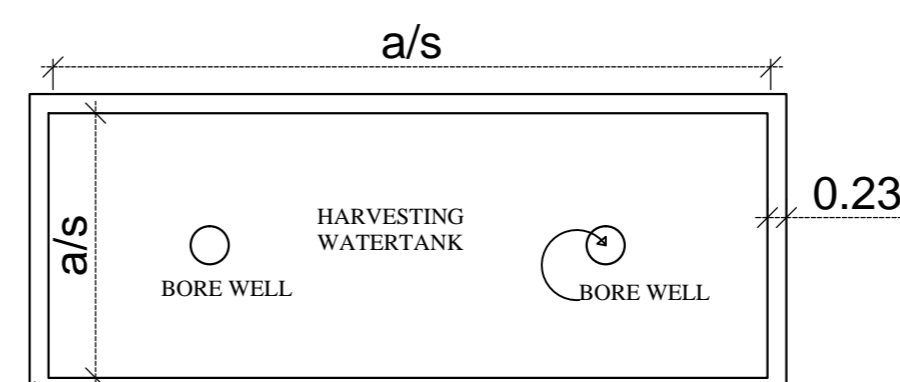
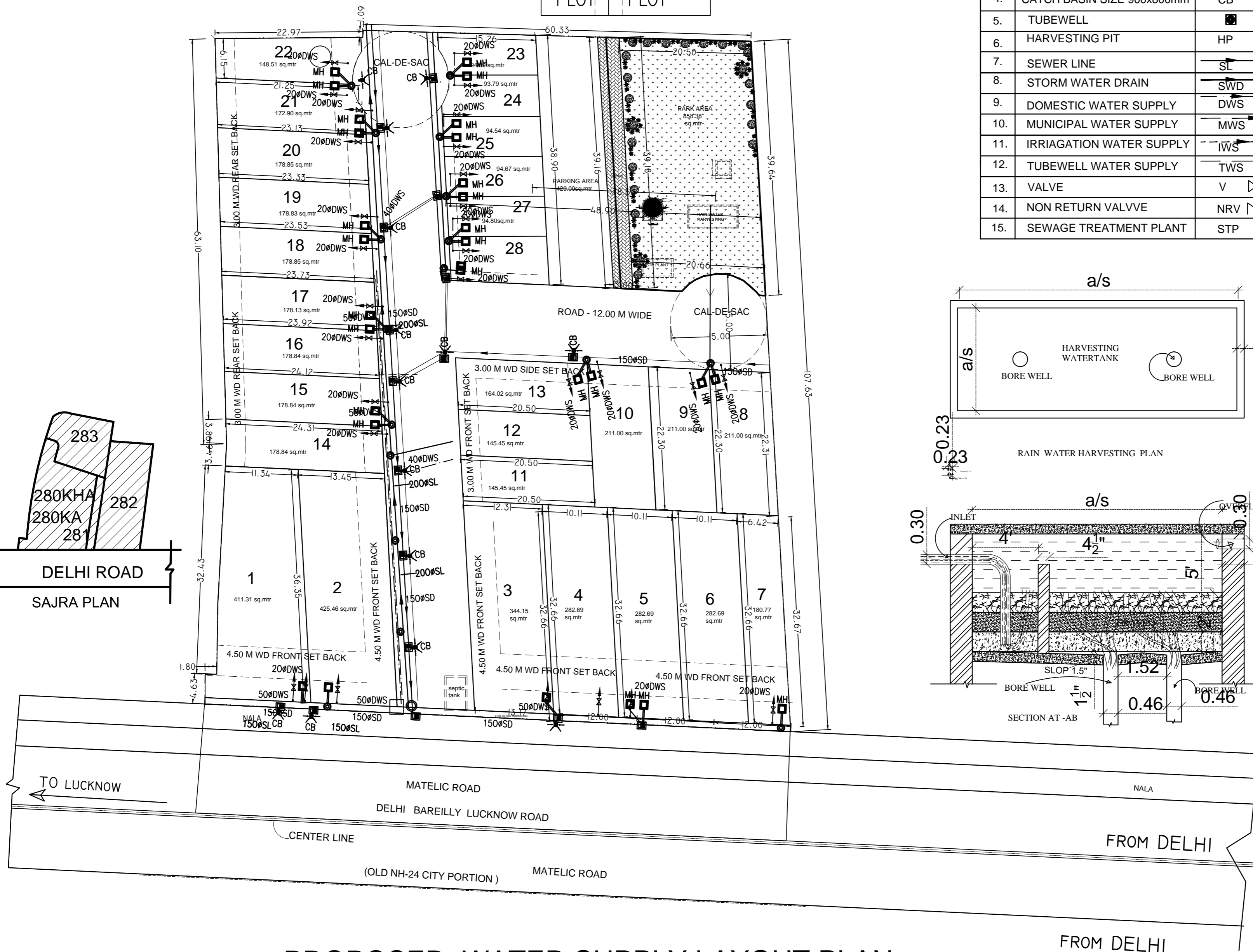
LEGEND :

EXTERNAL PLUMBING SERVICES

S.No.	DESCRIPTION	SYMBOLE
1.	LAWN HYDRANT	
2.	SEWER MANHOLE	⊙ MH
3.	CATCH BASIN SIZE 500x450mm	CB
4.	CATCH BASIN SIZE 900x800mm	CB
5.	TUBEWELL	⊠
6.	HARVESTING PIT	HP
7.	SEWER LINE	— SL —
8.	STORM WATER DRAIN	— SWD —
9.	DOMESTIC WATER SUPPLY	— DWS —
10.	MUNICIPAL WATER SUPPLY	— MWS —
11.	IRRIAGATION WATER SUPPLY	— IWS —
12.	TUBEWELL WATER SUPPLY	— TWS —
13.	VALVE	V ⊠
14.	NON RETURN VALVVE	NRV ⊠
15.	SEWAGE TREATMENT PLANT	STP

PRODUCED BY AN AUTODESK EDUCATIONAL PRODUCT

PRODUCED BY AN AUTODESK EDUCATIONAL PRODUCT



PROPOSED WATER SUPPLY LAYOUT PLAN