

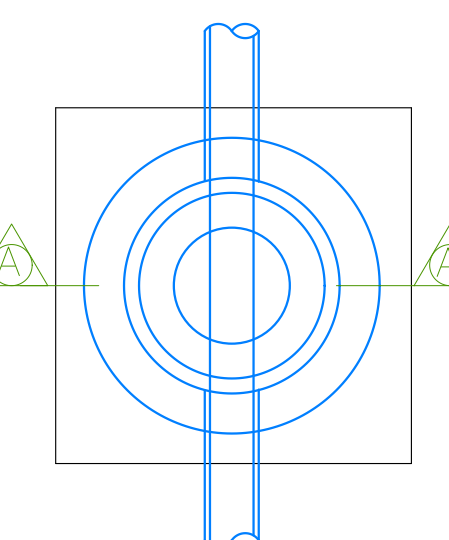
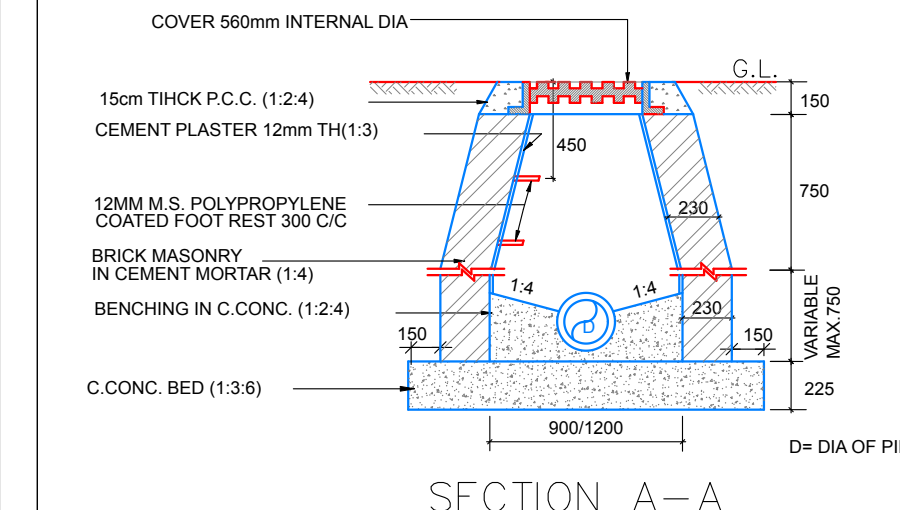
LOCATION FOR S.T.P PLANT ROOM BASEMENT -4&5

LOCATION FOR PLUMBING PLANT ROOM BASEMENT -2&3

LOCATION FOR FIRE PLANT ROOM BASEMENT -1

1500 STP BYPASS LINE

20 M. WD. FRONT COMPOUND WALL 1.5 M. HIGH GREEN BELT



PLAN CONICAL MANHOLE 900/1200 DIA (CPWD SPECIFICATIONS-1977 CLAUSE - 20.4 FIG.107)

SUBMISSION DRAWING

SANELAC CONSULTANTS PVT. LTD.
 C-64/2, OKHLA INDUSTRIAL AREA, PHASE-II, NEW DELHI-110020. TEL: 26385310, 40503959 E-mail: sanelac.consultants@gmail.com

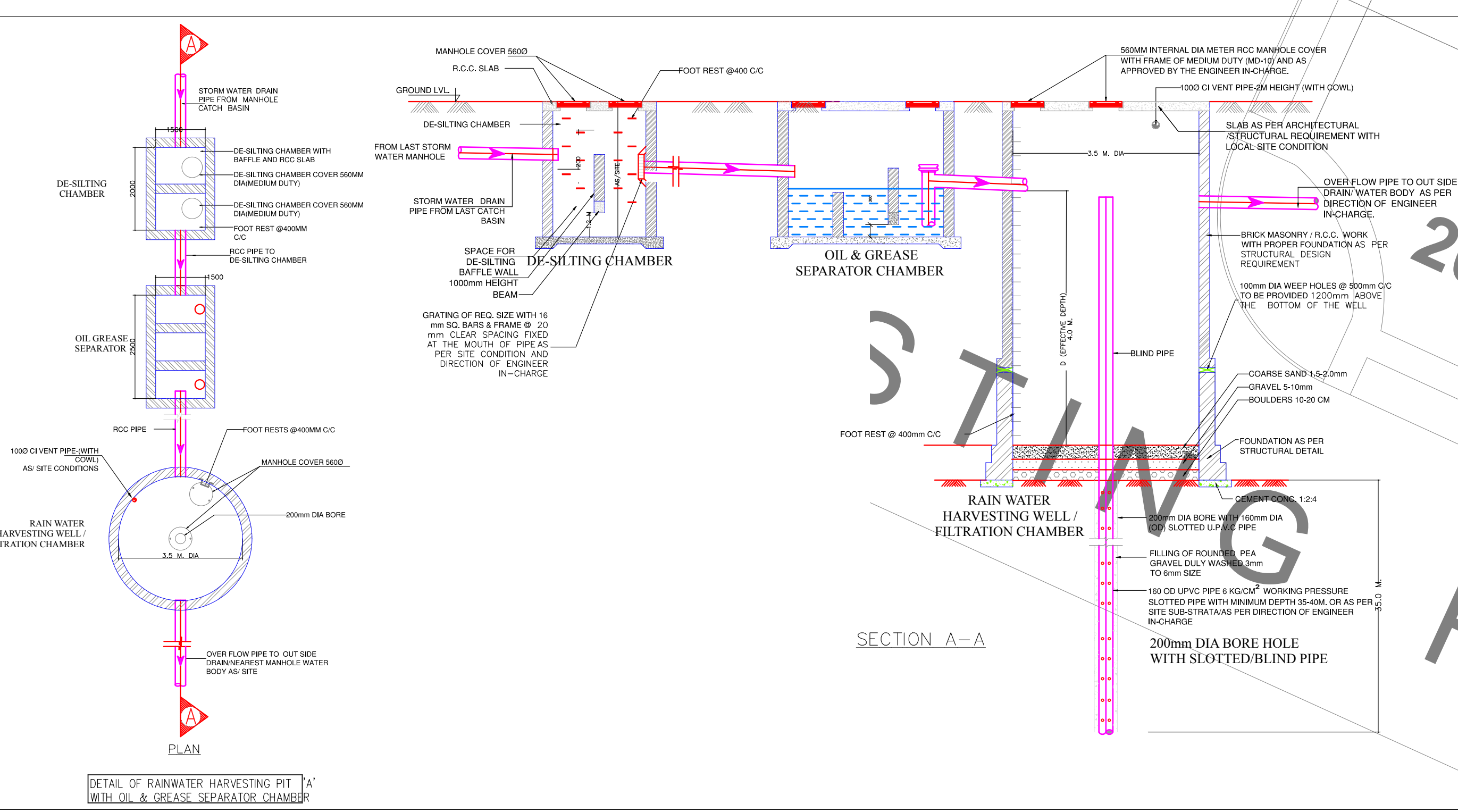
PROJECT
 PROPOSED SUBMISSION DRG. FOR GROUP HOUSING AT PLOT NO-GH-02, SECTOR-107, NOIDA (U.P.)

OWNER
 GREAT VALUE PROJECTS INDIA LTD.

ARCHITECT'S SEAL OWNER'S SEAL

ARCHITECT
modarchindia
 architects interior designers & planners
 studio: 1st floor, B-99, sector-63, Noida -201301, U.P.
 phone: 0120-4206253, email: amitagangal@gmail.com
 website: www.modarchindia.in

Drawing Title: SITE PLAN STORM WATER & SEWAGE LAYOUT
 Checked by: R.K.RAWAT Date: 15-04-2025
 Drawn by: ANIL Scale: A0@1:200
 Drawing No.: SCPL-GR-ST-01 North



LEGEND-

S.NO	DESCRIPTION	SYMBOL
1	STORM WATER MANHOLE	MH
2	STORM WATER LINE	Blue line with circles
3	SEWER WATER MANHOLE	MH
4	SEWERAGE LINE	Red line with circles
5	RAIN WATER HARVESTING PIT	Blue circle with 'RWH'