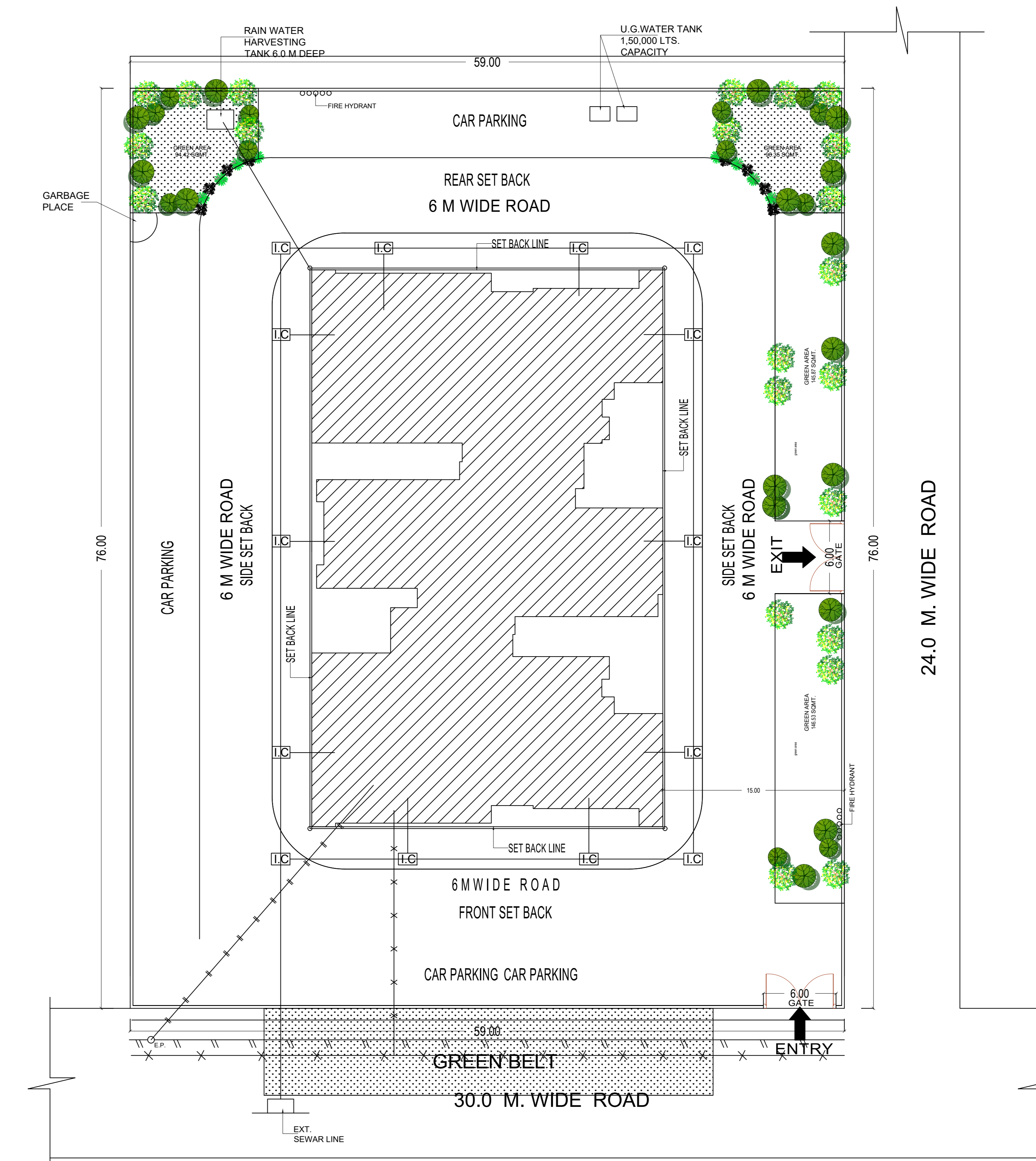
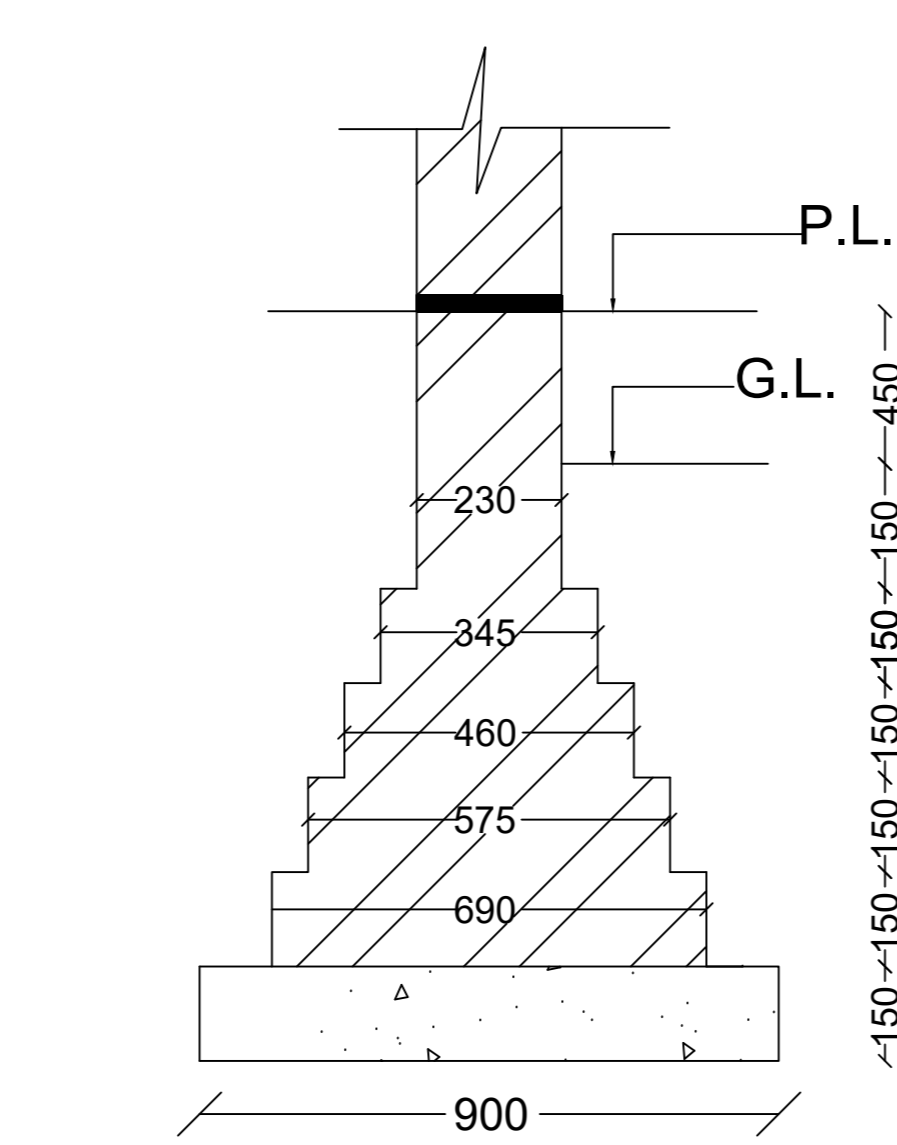
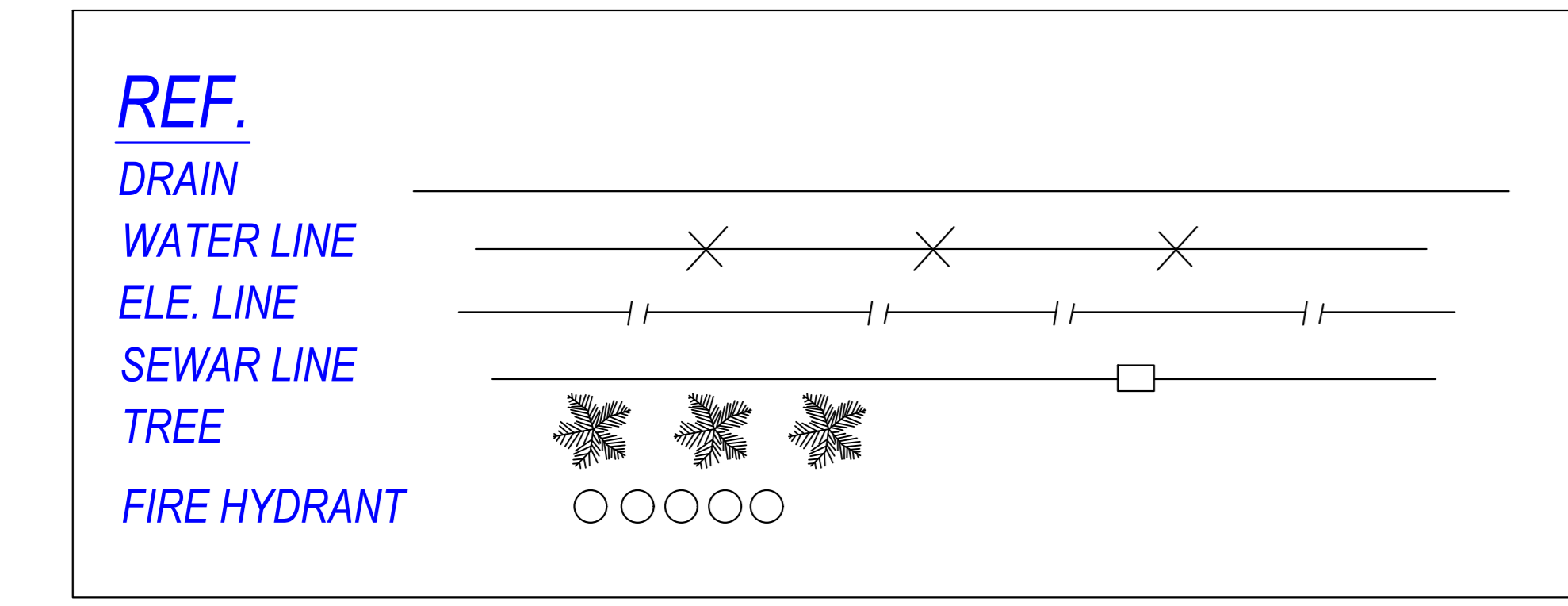
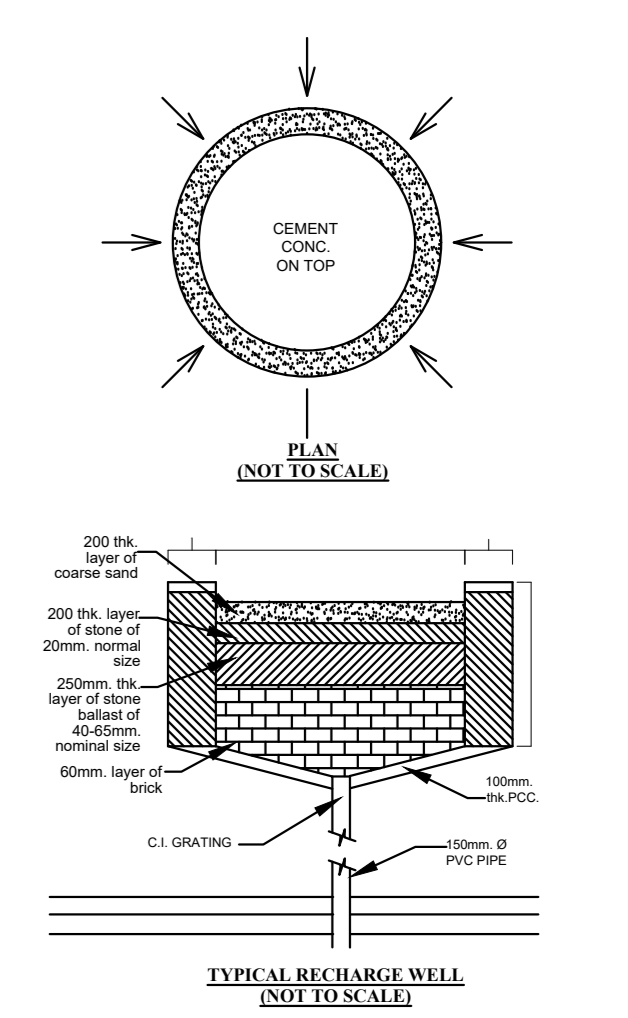




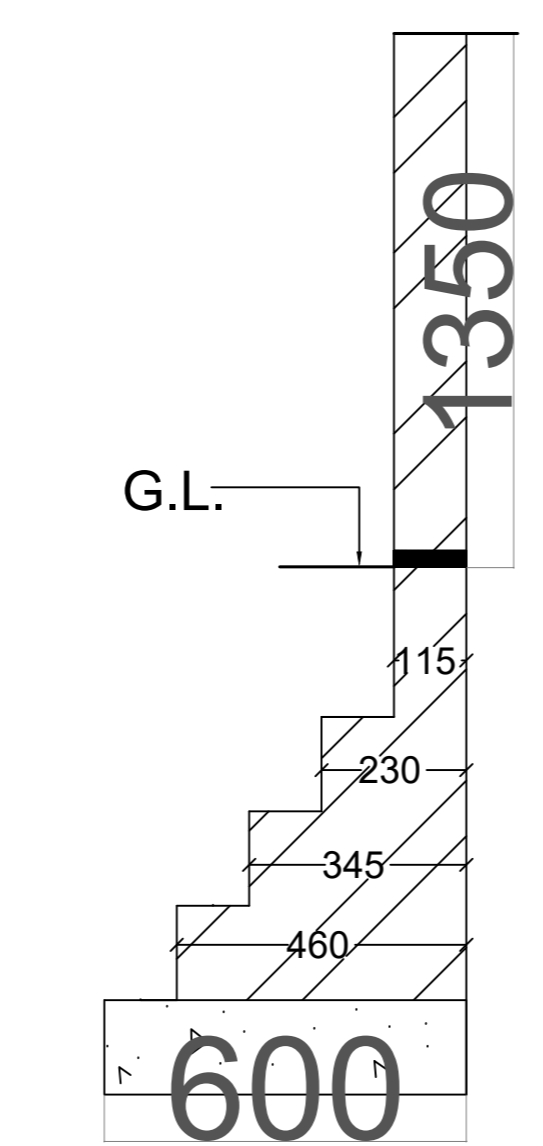
PARKING PLAN
 SCALE = 1:200



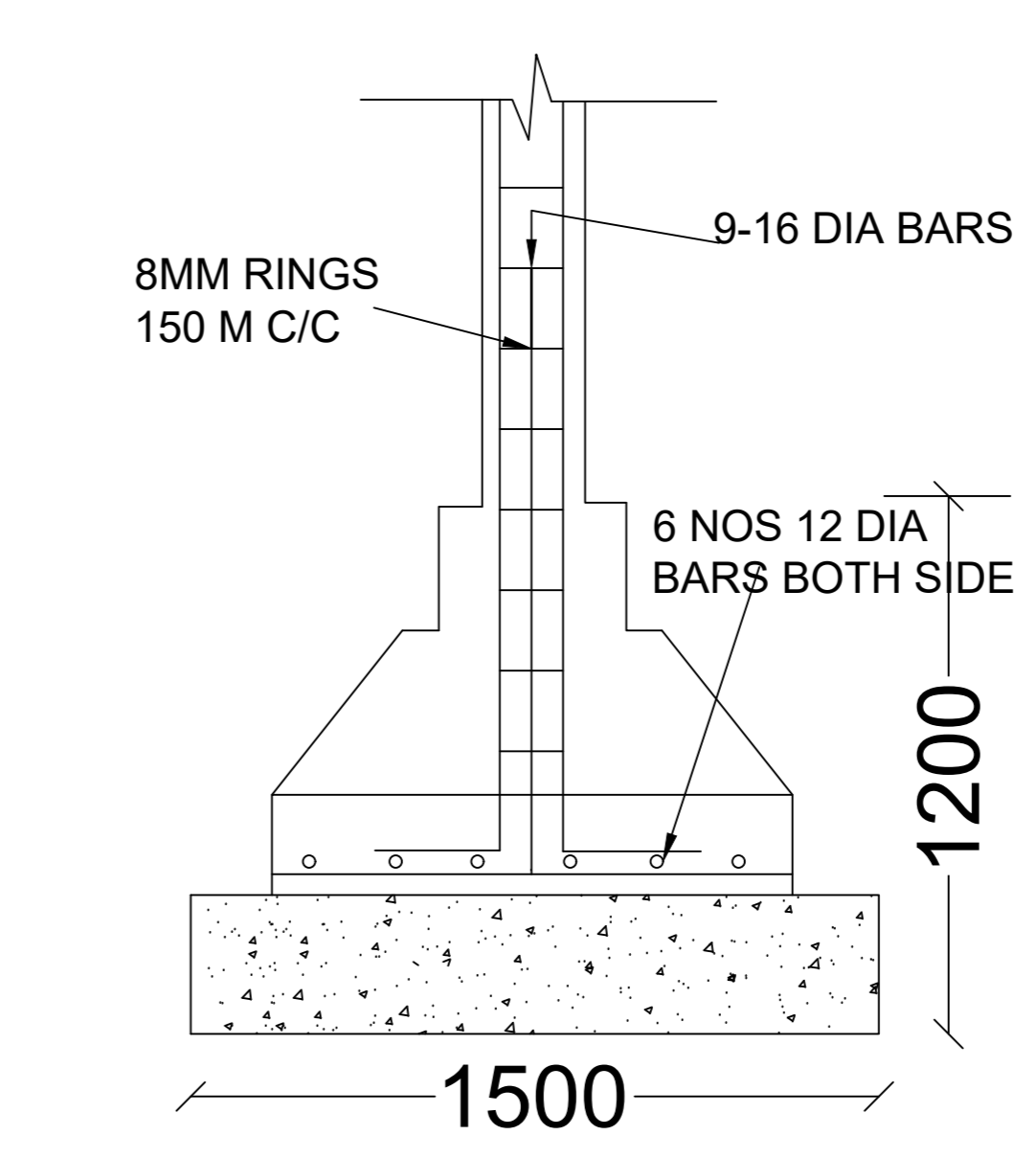
SERVICE PLAN
 SCALE = 1:200



FOUNDATION DETAIL
 (NOT TO SCALE)



BOUNDARY WALL DETAIL
 (NOT TO SCALE)



R.C.C FOUNDATION
 NOT TO SCALE

OWNER'S NAME AND SIGNATURE Think Buildwell P4 Ltd.arpawanshree@gmail.com.8753750999	
ARCHITECT'S NAME AND SIGNATURE PAWAN MISHRA CA0434606	FIRE ENGINEER
Lacknow Development Authority	
Total Plot Area :- 4484.00 Total FAR Area :- 16814.13 Total Coverage Area :- 1063.28 Total BUA Area :- 20757.59	

Note: - 1) This drawing is prepared as per the current prevailing Building Bye Laws.
 2) If Map sanctioned is used for purpose anything other than stated in application will lead to rejection of Map.