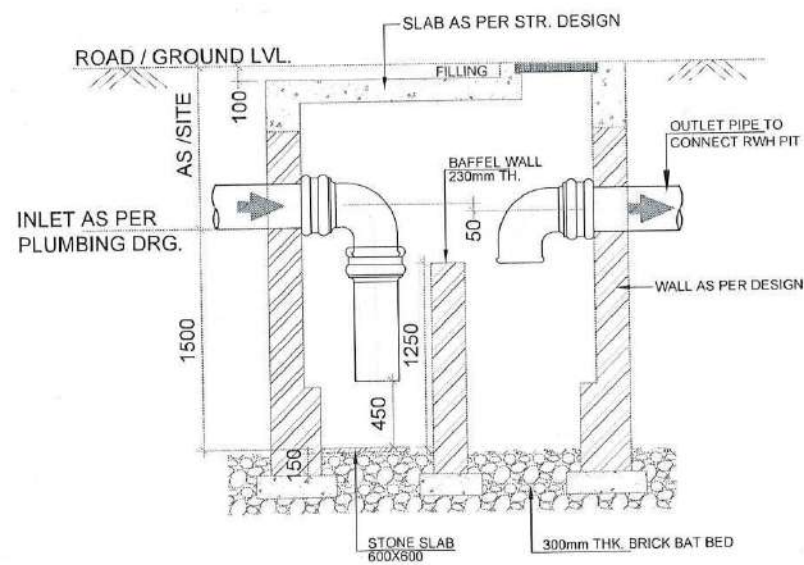
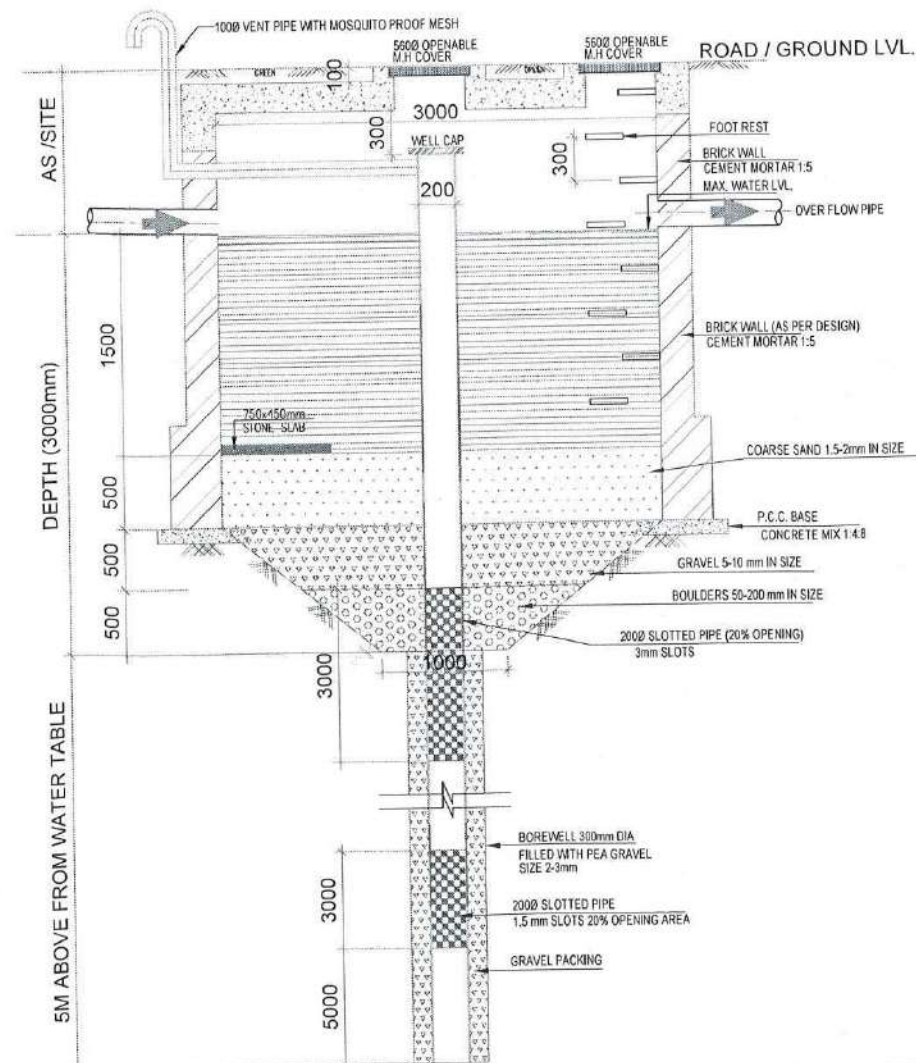


PLAN OF DESILTING CHAMBER & RWH PIT



SECTION-B B



**GROUP HOUSING
AT FIROZABAD.
G + 8**

GENERAL NOTES :-

1. All dimensions are in feet and inches.
2. Do not scale this drawing follow written dimensions only.
3. This drawing should be read in conjunction with other architectural, structural and service drawings.
4. Any discrepancy in the drawing should be immediately brought to the notice of architect, prior to the construction.
5. Architectural Drawings should be followed for the location of structural and masonry members however size & reinforcement shall be followed as structural or other relevant drawings.
6. Coordination with other services drawings such as electrical, hvac, plumbing etc. is the sole responsibility of the contractor.
7. For details follow large scale detailed drawings.
8. All drawings/measurements must be checked & verified by the contractor at site.
9. Architect's responsibility is limited to the soundness of its design only.
10. Bad workmanship will be sole responsibility of client & contractor.

WARNING :-

1. This drawing is the sole copyright of architects Mishra Garg & Associates and should be used for the purpose expressly issued.

**GROUP HOUSING
AT FIROZABAD.**

**TYPICAL RAIN WATER
HARVESTING PIT DRG.**

MISHRA GARG & ASSOCIATES
C-35, Shekharwati enclave, Lajpat Nagar, New Delhi, India.
Ph: +91-11-237-3274, 5104996, e-mail: mishra.garg@gmail.com

PRIME CONSULTANTS.

SRAJAN ASSOCIATES

C-5/A, NAKSHTRA PURI, LAJPAT NAGAR, NEW DELHI, INDIA.
Ph: +91-11-277-2970, E-MAIL: srajan@rediffmail.com

ASSOCIATES CONSULTANT:-

BEHERA & ASSOCIATES PVT. LTD.

F-623b, BEHIND, CNG FILLING STATION,
LADO SARAI, NEW DELHI 110030 PH:-
011-40583868, 09811911653 E-mail:-
behera.associates@gmail.com

DEALT	CHECKED	DATE
S. SINGH	S. BEHERA	05-08-2022
SCALE	JOB NO.	DRG. NO.
N.T.S.		PL-BA-11

