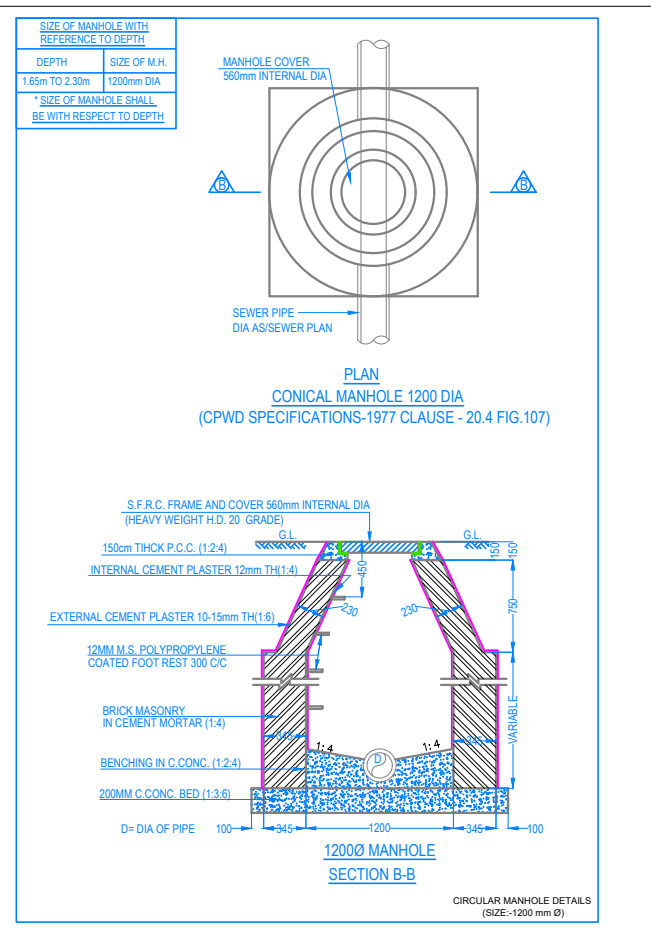
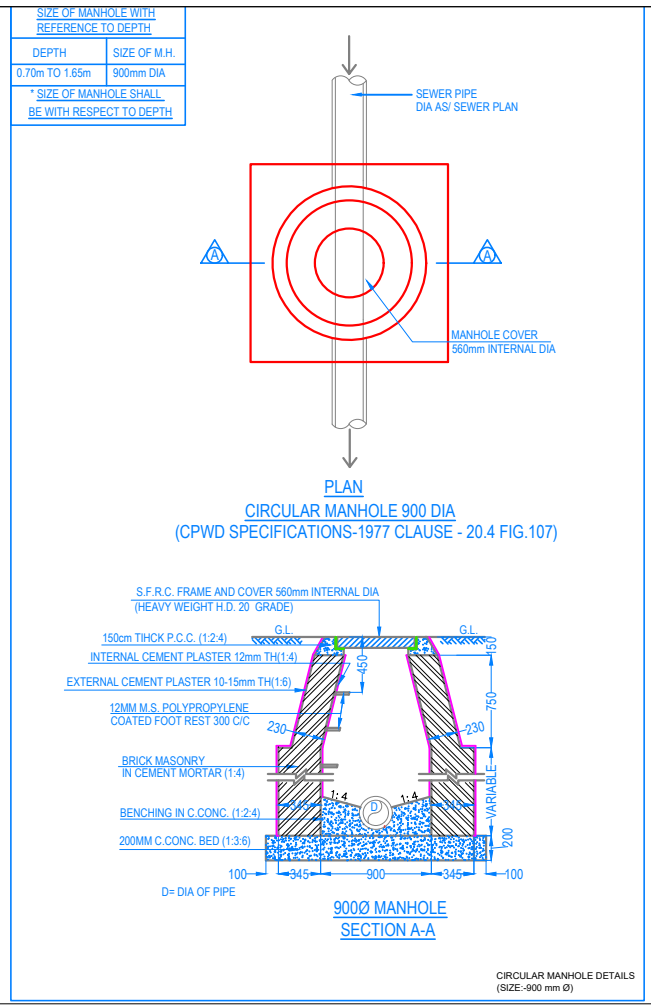


*NOTE-ALL ELECTRICAL LINES AND DRAINAGE LINES WILL GO ALONG THE BOUNDARY LINE OF 12M(RIGHT SIDE).

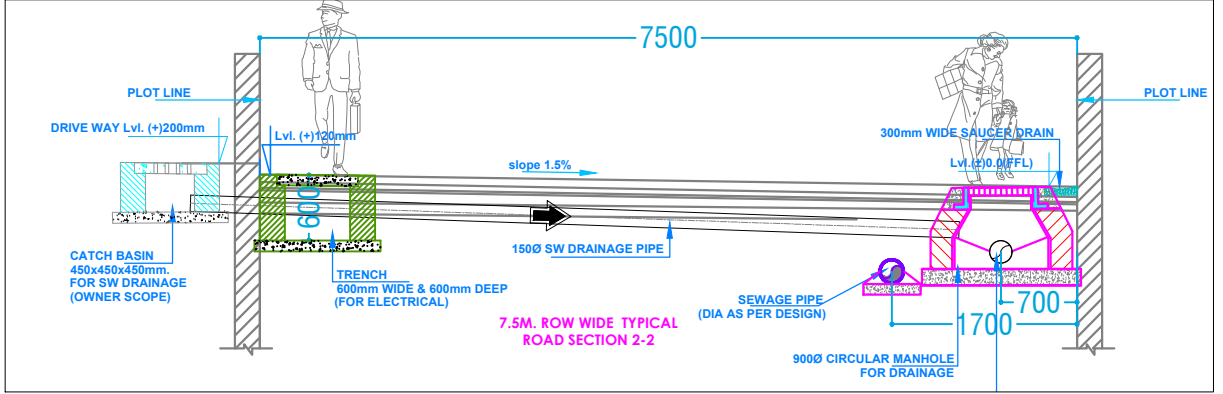
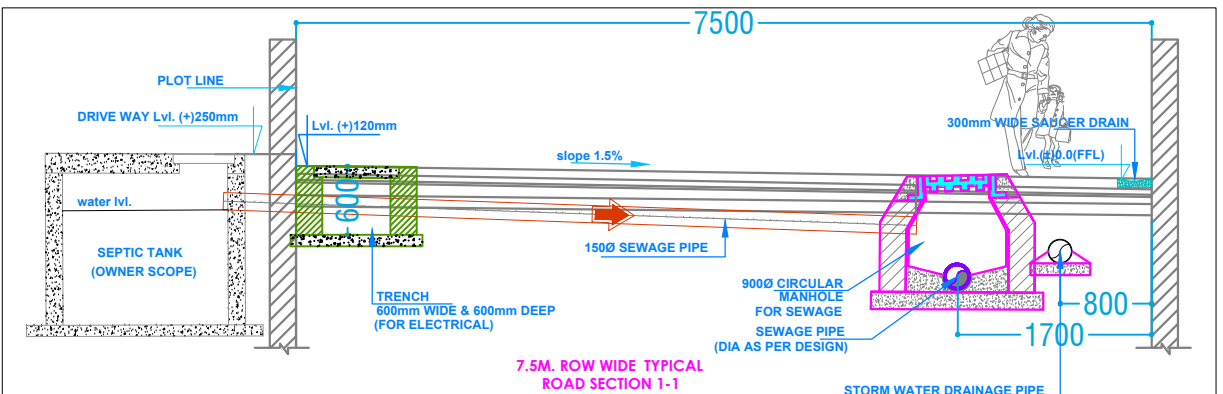


SIZE OF MANHOLE WITH REFERENCE TO DEPTH	
DEPTH	SIZE OF M.H.
0.70m TO 1.65m	900mm DIA
1.65m TO 2.30m	1200mm DIA
2.30m TO 9.00m	1500mm DIA

* SIZE OF MANHOLE SHALL BE WITH RESPECT TO DEPTH

LEGEND: -

	SEWAGE MANHOLE 600x600x600mm DEEP
	CATCH BASIN 450x450x450mm DEEP
	STORM MANHOLE
	SEWAGE MANHOLE
	GARDEN HYDRANT
	LENGTH
	CONNECTION LEVEL
	INVERT LEVEL



PROJECT
PROPOSED TOWNSHIP THE VILLAS 186 MI UDAYPUR KHAS ANDARCHUNGI NEAR KUDESIA BAREILLY, CROSSING

DRG. TITLE
SITE PLAN SEWAGE & STORM WATER DRAINAGE LAYOUT

STAGE
DESIGN DEVELOPMENT

SHEET NO.	REVISION	SCALE	DATE	DEALT BY
	0			

DRG. NO. _____ ARCHITECT

ARCHITECT
ROHIT SHINGHAL
 35R-1/3,RAMPUR GARDEN,BAREILLY
 (O) 0581,2568020
 email: rohitshinghal@gmail.com